



SINCE 1909
JAPAN

通風系統 AIR MOVING EQUIPMENT



生活充滿新氣

Providing you with a breath of Fresh Air



15WHC07

KDK 於 1913 年開始生產電風扇，並在日本銷售。1918 年 KDK 電風扇開始出口至其他地區，並且成為了著名的頂級品牌。

今天，KDK 主要產品有電風扇、抽油煙機、風幕機、乾手機、抽濕機及換氣設備。KDK 在海外市場持續增長，並跨越一世紀。於 2009 年，KDK 邁向 100 週年紀念，標誌一個重大里程碑。

為實踐我們的企業方針的承諾，KDK 會繼續加強與社區的聯繫，及為您舒適的生活而提供高質產品。

KDK fan began production and sold in Japan since 1913. From 1918, KDK fan exports to other regions, and became well-known top brand.

Today, KDK main products are electric fan, range hood, air curtain, hand dryer, dehumidifier and ventilation equipment. Sales of KDK products grow continually in oversea markets, and across a century. In 2009, KDK stepped towards the 100th anniversary that label an important milestone to the company.

In order to fulfill the commitment of our corporate policy, KDK will continue to strengthen the connections with the community and provide high quality products for the comfort of your life.



目錄 Contents

01

KDK 簡介
Profile of KDK

02

目錄
Content

03

為什麼換氣是必要的?
Why Ventilation is Necessary?

05

換氣產品系列
Ventilation Product Lineup

09

窗口式換氣扇
Window Mount Ventilating Fan

15

浴室用換氣扇
Bathroom Type Ventilating Fan

16

掛牆式換氣扇
Wall Mount Ventilating Fan

21

天花板式換氣扇
Ceiling Mount Ventilating Fan

26

「浴室寶」浴室換氣暖風機
Thermo Ventilator

35

抽油煙機
Range Hood

37

乾手機
Hand Dryer

41

風簾
Air Curtain

為什麼換氣是必要的？

近年來，新設計及建造的房屋比以往的更密閉以達成最佳高效節能。但殘留在密閉建築物的污染物，可能對居住者有害，並危及到房子的結構。適當的換氣設計，可以改善室內空氣質素，同時保存能源效益。

生物污染物，包括黴菌、花粉、塵蟎、寵物皮屑、病毒和細菌，普遍地在一般家庭發現，這些污染物的殘留，可能會對住戶和建築結構造成影響。

揮發性有機化合物 (VOC) 的碳基化合物，容易蒸發。這類氣體從建材、地毯、家具和許多家居用品揮發，對某些人形成不良反應。

改善室內空氣質素的方法

要改善室內空氣質素，首要應減少或消除污染物的來源。可惜，室內污染物幾乎不可能完全消除，因此需要第二個步驟 - 換氣。

Why Ventilation is Necessary?

Homes designed and built in recent years are more airtight for optimum energy efficiency. But pollutants retained in airtight buildings can

be hazardous to their occupants and jeopardize structural integrity. Proper mechanical ventilation design can address poor indoor air quality, while retaining energy efficiency.

Biological pollutants, including mold, mildew, pollen, dust mites, pet dander, viruses and bacteria, are found in all homes commonly. Accumulation of these pollutants may cause hazardous effects to the occupants and building structure.

Volatile Organic Compounds (VOC) are carbon-based compounds that easily evaporate. These types of gases are released from building materials, carpets, furniture and many other solid household items. They can ultimately sensitize certain people to react to them.

Ways to Improve Indoor Air Quality

The first step to improve indoor air quality should be to reduce or remove the source of the pollutants. Unfortunately, indoor pollutants are virtually impossible to eliminate completely, creating the need for a second step - ventilation.

有害健康的室內化學物質分為3種 Hazardous indoor chemicals can be categorized into 3 groups

化學物質 Chemicals Substance

1
甲醛
Formaldehyde (HCHO)

易揮發的有機化合物 Volatile Organic Compounds

- 甲苯
Toluene,
二甲苯
Xylene,
三甲基苯
Trimethyl Benzene
- 磷酸三酯
Phosphoric
Acid Triester
(TCEP)

3
有機磷
Organic Phosphoric



夾板、地板、家具、牆紙
Plywood Board, Flooring, Furniture, Wall Paper



不燃乙烯基布
Non-flammable
Vinyl Cloth



殺蟲劑
Pesticides

來源 Origin

如何選擇換氣扇？

在密閉的居所使用適當的換氣，有助於確保室內空氣質素。換氣扇應安裝近於房間內產生濕氣和空氣污染物的來源。

選擇換氣扇時，第一步是確定應用地點，例如浴室、廚房等，並決定需要什麼類型的換風設備，如窗口安裝、天花板安裝、浴室換氣暖風機等。然後根據換氣量標準決定每小時的換氣量（ACH）以配合具體應用。

第二步是計算換氣面積，所需的換氣量（風量）的計算方法如下

$$\text{房間面積} \times \text{天花板高度} \times \text{每小時的換氣量 (ACH)}$$

假若換氣扇是安裝在高層建築或選用管道連接的換氣扇時，必須考慮管道阻力導致的壓力損失。這需要對管道設計和其組件造成的靜壓有基本的認識。

Sizing of Ventilating Fan

Properly sized ventilation in airtight homes helps to ensure healthy indoor air quality.

Ventilating fans should be located near the source of moisture and indoor air pollutants in the rooms.

The first step when sizing for a ventilating fan is to determine the application, e.g. bathroom, kitchen, etc, and decide what type of ventilation equipment you need, i.e. window mount, ceiling mount, thermo ventilator or other. Then use the ventilation schedule recommendation to determine Air Change per Hour (ACH) for your specific application.

The second step is to calculate the area being ventilated. The calculation method of required volume of ventilation (air volume) is as below

$$\text{Room Area} \times \text{Ceiling Height} \times \text{Air Change per Hour (ACH)}$$

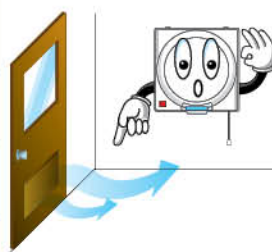
In the event of installing the fan in high rise building or duct connecting ventilating fan is selected, pressure loss due to duct resistance should be taken into account. This requires a basic understanding of static pressure caused by a duct run design and its components.

參考資料 Reference

建議型號 Recommended Model	10BAQ107 15WUE07 ★15WJA07 15AAQ107 ★15WHC07	★20WHC07 20WUE07	★20DLC07 20AUH07	★25DLC07 25AUH07	30AUH07
房間面積 Room Size (平方呎/Sq.ft.)					
洗手間Toilet: 20 - 70 (平方呎/Sq.ft.)					
洗手間或廚房Toilet/kitchen: 70 - 100 (平方呎/Sq.ft.)					
廚房kitchen: 100 - 200 (平方呎/Sq.ft.)					
其他房間Other rooms: 180 - 300 (平方呎/Sq.ft.)					

★電動百葉板開關設計 Electrically Operated Shutter

建築物及房間類別 Type of building and room	建議每小時換氣次數(次/小時) Recommended no. of air change per hour (n/hr)
浴室/洗手間 Bathroom/Toilet	5-10
廚房 Kitchen	15
學校課室 School Classroom	12-15
公司 Office	12-15



房間內必需設置一通風口位
Be sure to provide an appropriate ventilation opening.




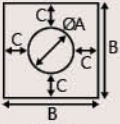




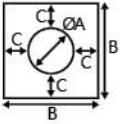
抽氣扇尺寸 Fan Size	建議預留通風口位 Recommended ventilation opening
6"- 8"	2.5厘米高門腳空隙 2.5cm gap between the door and the floor
10"	45 x 30厘米(百葉入氣口) 45 x 30cm (Louver Inlet)











注意事項 Attention:

房間內必需設置一通風口位，使能達到有效的換氣效果。
Be sure to provide an appropriate ventilation opening for effective ventilation.

窗口式換氣扇 Window Mount Type

	高靜壓型 High Pressure Type		電動背板型 Electric Shutter Type	
型號 Model	 15WJA07	 15WHC07	 20WHC07	
扇葉尺寸 Blade Size	6" (15cm)	6" (15cm)	8" (20cm)	
風量 Air Volume [CMH (CFH)]	Hi: 220 (7,770) Lo: 165 (5,830)	230 (8,121)	445 (15,723)	
電動百葉背板開關 Electric Shutter	O	O	O	
面板 Louver	O	O	O	
 <p>安裝孔形狀/尺寸 Installation Hole Type/Size 單位: 毫米 (吋) unit: mm (inch)</p>	圓形 Round A: 186 ~ 188 (7.32 ~ 7.40) B: 390 (15.35) 最小 minimum C: 100 (3.94) 最小 minimum	圓形 Round A: 186 ~ 188 (7.32 ~ 7.40) B: 390 (15.35) 最小 minimum C: 100 (3.94) 最小 minimum	圓形 Round A: 247 ~ 250 (9.72 ~ 9.84) B: 450 (17.72) 最小 minimum C: 100 (3.94) 最小 minimum	
玻璃厚度 [毫米] Glass Thickness [mm]	5 ~ 9	3 ~ 25	3 ~ 25	
資料 Information	P.9, 13	P.10, 13	P.10, 13	
	標準型 Standard Type		網罩型 Louver Type	
型號 Model	 15WUE07	 20WUE07	 15WULA07	 20WULA07
扇葉尺寸 Blade Size	6" (15cm)	8" (20cm)	6" (15cm)	8" (20cm)
風量 Air Volume [CMH (CFH)]	210 (7,420)	420 (14,830)	192 (6,780)	342 (12,080)
電動百葉背板開關 Electric Shutter	-	-	-	-
面板 Louver	-	-	O	O
 <p>安裝孔形狀/尺寸 Installation Hole Type/Size 單位: 毫米 (吋) unit: mm (inch)</p>	圓形 Round A: 186 ~ 188 (7.32 ~ 7.40) B: 390 (15.35) 最小 minimum C: 100 (3.94) 最小 minimum	圓形 Round A: 247 ~ 250 (9.72 ~ 9.84) B: 450 (17.72) 最小 minimum C: 100 (3.94) 最小 minimum	圓形 Round A: 186 ~ 188 (7.32 ~ 7.40) B: 390 (15.35) 最小 minimum C: 100 (3.94) 最小 minimum	圓形 Round A: 247 ~ 250 (9.72 ~ 9.84) B: 450 (17.72) 最小 minimum C: 100 (3.94) 最小 minimum
玻璃厚度 [毫米] Glass Thickness [mm]	3 ~ 7	3 ~ 7	3 ~ 7	3 ~ 7
資料 Information	P.11, 14	P.11, 14	P.12, 14	P.12, 14

掛牆式換氣扇 Wall Mount Type

	電動百葉板型 Electric Shutter Type		濾網型 Filter Type	網罩型 Louver Type
型號 Model	 20DLC07	 25DLC07	 25AUF07	 30ALF07
扇葉尺寸 Blade Size	8" (20cm)	10" (25cm)	10" (25cm)	12" (30cm)
風量 Air Volume [CMH (CFH)]	560 (19,776)	882 (31,147)	835 (29,488)	935 (33,020)
電動百葉板開關 Electric Shutter	○	○	-	-
面板 Louver	○	○	○	○
承油杯 Oil Cup	○	○	○	○
安裝孔形狀/尺寸 Installation Hole Type/Size 單位: 毫米 (吋) unit: mm (inch)	正方 Square 250 x 250 (9.84 x 9.84)	正方 Square 300 x 300 (11.81 x 11.81)	正方 Square 300 x 300 (11.81 x 11.81)	正方 Square 350 x 350 (13.78 x 13.78)
資料 Information	P.17, 19	P.17, 19	P.16, 20	P.18, 20
標準型 Standard Type				
型號 Model	 15AAQ107	 20AUH07	 25AUH07	 30AUH07
扇葉尺寸 Blade Size	6" (15cm)	8" (20cm)	10" (25cm)	12" (30cm)
風量 Air Volume [CMH (CFH)]	290 (10,241)	580 (20,480)	920 (32,490)	1,200 (42,380)
電動百葉板開關 Electric Shutter	-	-	-	-
面板 Louver	-	-	-	-
承油杯 Oil Cup	○	○	○	○
安裝孔形狀/尺寸 Installation Hole Type/Size 單位: 毫米 (吋) unit: mm (inch)	正方 Square 175 x 175 (6.89 x 6.89)	正方 Square 250 x 250 (9.84 x 9.84)	正方 Square 300 x 300 (11.81 x 11.81)	正方 Square 350 x 350 (13.78 x 13.78)
資料 Information	P.18, 20	P.18, 19	P.18, 19	P.18, 19

天花板式換氣扇 Ceiling Mount Type

	直流馬達型 DC Motor Type		標準型 Standard Type
型號 Model	 24JRB	 24JAB	 17CUF
管道尺寸 Duct Size	4" (100mm)	4" (100mm)	4" (100mm)
風量 Air Volume [CMH (CFH)]	160 (5,650)	160 (5,650)	85 (3,001)
感應器控制 Sensor Operation	O	-	-
特點 Main Feature	<ul style="list-style-type: none"> - 直流馬達 DC Motor - 紅外線感應運作 - Motion Sensor Control - 恆穩風量 - Constant airflow - 多段風量選擇 - Variable air volume - 延緩時間 - Delay Time 	<ul style="list-style-type: none"> - 直流馬達 DC Motor - 恆穩風量 - Constant airflow - 多段風量選擇 - Variable air volume - 延緩時間 - Delay Time 	<ul style="list-style-type: none"> - 超靜音運作 - Super low noise - 錐形渦輪扇葉 - Taper blade sirocco fan
安裝孔形狀/尺寸 Installation Hole Type/Size 單位: 毫米 (吋) unit: mm (inch)	240 x 240 (9.46 x 9.46)	240 x 240 (9.46 x 9.46)	177 x 177 (6.97 x 6.97)
產品框架高度 [毫米] Height of Frame Body [mm]	213	213	184
資料 Information	P.21-22, 25	P.21-22, 25	P.23, 25
	金屬型 Metal Type		
型號 Model	 24CMUA	 24CMDA	 24CMHA
管道尺寸 Duct Size	4" (100mm)	4" (100mm)	4" (100mm)
風量 Air Volume [CMH (CFH)]	100 (3,531)	165 (5,826)	210 (7,416)
感應器控制 Sensor Operation	-	-	-
特點 Main Feature	<ul style="list-style-type: none"> - 金屬結構 - Metal structure - 盒式匹配器 - Cassette type discharge adaptor 	<ul style="list-style-type: none"> - 金屬結構 - Metal structure - 盒式匹配器 - Cassette type discharge adaptor 	<ul style="list-style-type: none"> - 金屬結構 - Metal structure - 盒式匹配器 - Cassette type discharge adaptor
安裝孔形狀/尺寸 Installation Hole Type/Size 單位: 毫米 (吋) unit: mm (inch)	240 x 240 (9.46 x 9.46)	240 x 240 (9.46 x 9.46)	240 x 240 (9.46 x 9.46)
產品框架高度 [毫米] Height of Frame Body [mm]	200	200	200
資料 Information	P.24	P.24	P.24

「浴室寶」浴室換氣暖風機 Thermo Ventilator

	健美型 Health Type		
型號 Model	 47UDAH		
管道尺寸 Duct Size	4" (100mm)		
風量 Air Volume CMH (CFH)	Hi : 130 (4,608)		
遙遠控制 Remote Control	無線 Wireless		
特點 Main Feature	<ul style="list-style-type: none"> - 氣霧功能 (出汗模式及滋潤模式) Mist function (Sweat and Moist mode) - PTC 發熱器 - PTC heater - 可調風向 - Adjustable air direction - 集中 / 擴散送風模式 - Spot / wide air mode 		
安裝孔形狀/尺寸 Installation Hole Type/Size 單位: 毫米 (吋) unit: mm (inch)	440 x 490 (17.30 x 19.25)		
產品框架高度 [毫米] Height of Frame Body [mm]	260		
資料 Information	P.26-30		
	高級型 Deluxe Type	標準型 Standard Type	纖巧型 Slim Type
型號 Model	 40BEBH	 40BDAH	 30BGAH
管道尺寸 Duct Size	4" (100mm)	4" (100mm)	4" (100mm)
風量 Air Volume CMH (CFH)	Hi : 175 (6,180) Lo : 95 (3,355)	Hi : 160 (5,650) Lo : 95 (3,355)	150 (5,297)
遙遠控制 Remote Control	無線 Wireless	有線 Wired	無線 Wireless
特點 Main Feature	<ul style="list-style-type: none"> - PTC 發熱器 - PTC heater - 可調風向 - Adjustable air direction - 集中 / 擴散送風模式 - Spot / wide air mode 	<ul style="list-style-type: none"> - PTC 發熱器 - PTC heater - 速暖功能 - 'Hot Start' function - 抗敏過濾網 - alleru Buster filter 	<ul style="list-style-type: none"> - PTC 發熱器 - PTC heater - 纖巧體位 - Compact size - 可調風向 - Adjustable air direction
安裝孔形狀/尺寸 Installation Hole Type/Size 單位: 毫米 (吋) unit: mm (inch)	290 x 400 (11.42 x 15.75)	290 x 400 (11.42 x 15.75)	300 x 300 (11.81 x 11.81)
產品框架高度 [毫米] Height of Frame Body [mm]	200	200	190
資料 Information	P.31, 34	P.32, 34	P.33, 34

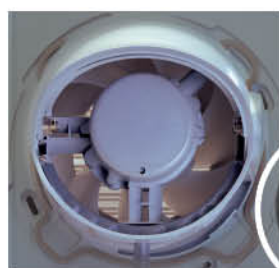


15WJA07 (6")

高靜壓型
High Pressure Type
電動百葉背板開關
設計
Electrically
Operated Shutter

特點 Features

- 弧形雙百葉設計·遮風擋雨
Dome shaped hood with 2-piece shutter design for rain proof and wind resistible
- 強力通風及在高靜壓下運作
Powerful airflow and sustainable to high static pressure (Hi 90 / Lo 51 Pa)
- 前置安全網·安全美觀
Attached front louver for safety and better outlook
- 附設上/左/右電線出口位·使安裝靈活度更高。
3-way (upside/left/right) power cord opening for more flexibility
- 時尚設計
Modern design
- 兩種風速選擇
2-speed selectable
- 安裝簡便
Easy installation
- 方便清洗
Easy clean
- 適合一般浴室使用
Suitable for bathroom
- 符合防水安全規格IPX4 (室外)
Comply with IPX4 (Outside)



弧形設計及雙百葉設計
Dome shaped hood with
2-piece shutter design



首創兩種風速選擇
Two speed selectable



15WHC07 (6")
20WHC07 (8")

電動背板型
Electric Shutter Type
電動百葉背板開關
設計
Electrically
Operated Shutter

New

特點 Features

- 半拱形外罩及曲邊百葉設計 · 遮風擋雨
Hood structure and bent end shutter for rain proof and wind resistible
- 獨特安裝鋼夾及簡易安裝設計 · 無需玻璃膠及墊圈 · 安裝輕易迅速
Unique mounting brackets and easy installation design, can simply fix the fan without silicon seal and gasket
- 適合安裝在3毫米至25毫米的玻璃上
Able to fix on glass plate of thickness from 3mm to 25 mm
- 時尚設計
Modern design

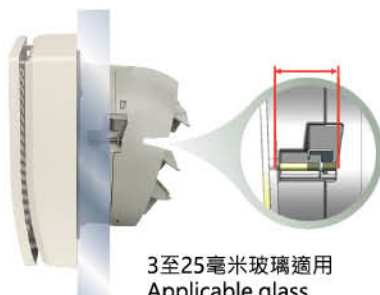
半拱形外罩
Hood structure



曲邊百葉設計
Bent end shutter



安裝鋼夾
Mounting
brackets



3至25毫米玻璃適用
Applicable glass
thickness 3mm ~ 25mm



標準型
Standard Type
15WUE07 (6")
20WUE07 (8")

- 適合一般浴室使用
Suitable for bathroom
- 符合防水安全規格IPX4 (室外)
Comply with IPX4 (Outside)

特點 Features

- 嶄新扇葉設計
Advanced Blade Design
- 全新 HP 馬達及軸承
New HP Motor & Bearing
- 低耗電量
Low Power Consumption
- 強化開關簾結構
Strengthened Shutter Structure

嶄新扇葉設計 Advanced Blade Design

採用嶄新扇葉設計—利用空氣動力原理，減少對氣流的任何阻力。

New blade design applies advanced aerodynamic principle to minimize any obstacles against the airflow.

扇葉前緣 Leading Edge



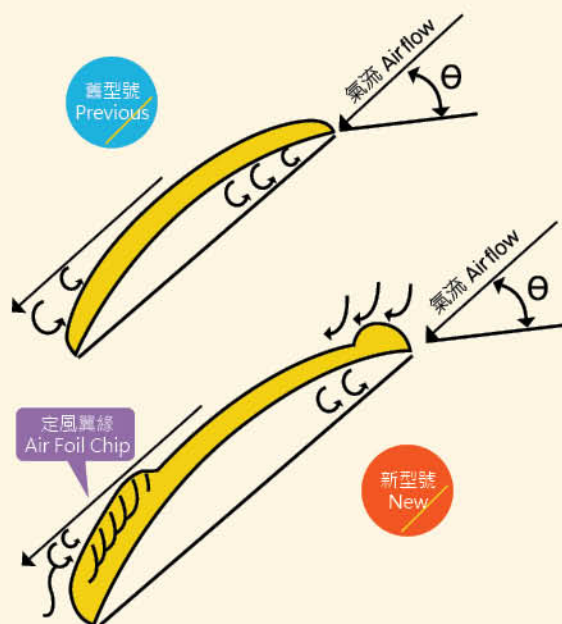
定風翼緣 Air Foil Chip

定風翼緣能減低扇葉後邊的亂流，其前方的弧度經改良後，有助氣流流動，並有效減少噪音。

Air Foil Chip is to reduce turbulence at rear edge, and curvature of front edge is improved for smooth airflow that minimizes fan noise as well.

經改良的扇葉前緣不會對氣流形成障礙，任何角度空氣都能順利流通。

Leading Edge forms no obstacle to airflow that streamlines airflow from every direction





網罩型
Louver Type
15WULA07 (6")
20WULA07 (8")

- 適合一般浴室使用
Suitable for bathroom
- 符合防水安全規格IPX4 (室外)
Comply with IPX4(Outside)

全新 HP馬達及軸承 New HP Motor & Bearing

比較舊型號，新型號採用高性能電容馬達及長壽命軸承，使產品更耐用持久。平均使用時間可達40,000小時，較舊型號耐用1.5倍。並且，能源消耗平均節省達50%。

Compared with previous models, new models adopt high performance condenser motor and long life bearing that prolong the product durability. Lifetime can be up to 40,000 hours, and 1.5 times compared with previous model. They also enable energy saving by reducing power consumption down to average 50%.

強化開關簾結構 Strengthened Shutter Structure

- 耐用
Durable
- 有效抵禦強風
Sustainable to strong wind

金屬製開關簾軸心，產品更堅固耐用。

Metallic Shutter axis is used as the supporter for movement of shutter that provides a better endurance.

特點 Features

嶄新扇葉設計

Advanced Blade Design

全新 HP馬達及軸承

New HP Motor & Bearing

低耗電量

Low Power Consumption

強化開關簾結構

Strengthened Shutter Structure

防護前網罩

Front louver for safety protection



長壽命軸承
Long life bearing



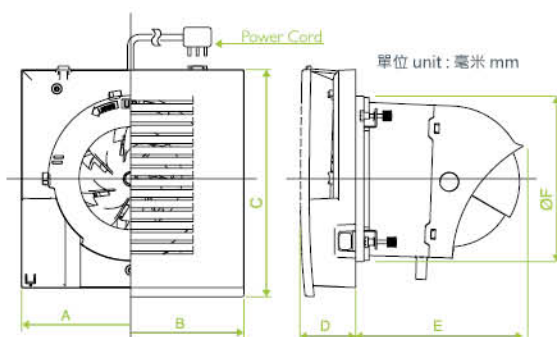
HP馬達
HP Motor



窗口式換氣扇 Window Mount Type



15WJA07 (6")

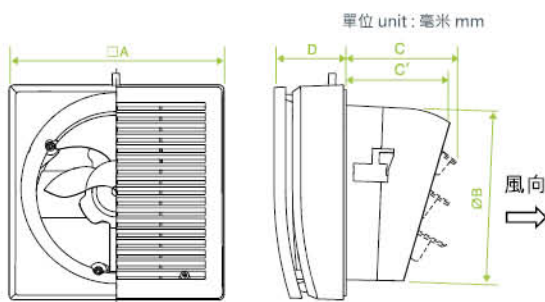


Model		A	B	C	D	E	F	Installation Size
15WJA07	mm	244	254	254	65	188	185	∅ 186 - 190
	inch	9.6	10	10	2.6	7.4	7.3	∅ 7.32 - 7.48

型號 Model		風量 Air Volume [CMH (CFH)]	風扇轉速 Fan Speed [R.P.M.]	噪音水平 Noise Level [dB(A)]	耗電量 Power Consumption [Watt]	淨重 Net Weight [Kg]
15WJA07	高 High	220 (7,770)	1,960	47	27	2.4
	低 Low	165 (5,830)	1,460	38	24	



15WHC07 (6")
20WHC07 (8")



15WHC07



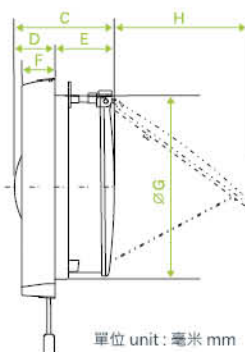
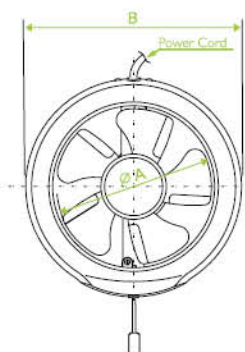
20WHC07

Model		A	B	C	C'	D	Installation Size
15WHC07	mm	224	182	117	111	72	∅ 186 - 188
	inch	8.82	7.17	4.61	4.37	2.84	∅ 7.32 - 7.40
20WHC07	mm	288	243	120	117	74	∅ 247 - 250
	inch	11.34	9.57	4.72	4.61	2.91	∅ 9.73 - 9.85

型號 Model No.		風量 Air Volume [CMH (CFH)]	風扇轉速 Fan Speed [R.P.M.]	噪音水平 Noise Level [dB(A)]	耗電量 Power Consumption [Watt]	淨重 Net Weight [Kg]
15WHC07		230 (8,120)	2,290	43	13	1.4
20WHC07		445 (15,710)	1,370	42	20	2.6



15WUE07 (6")
20WUE07 (8")



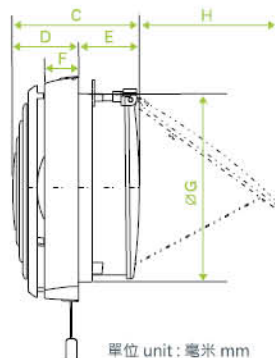
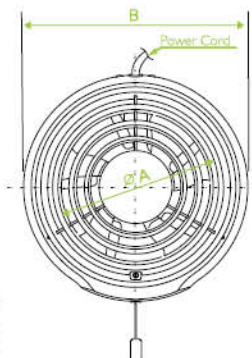
單位 unit: 毫米 mm

Model		A	B	C	D	E	F	G	H	Installation Size
15WUE07	mm	150	210	97	43	54	38	177	149	∅ 186 - 188
	inch	5.91	8.27	3.82	1.69	2.13	1.5	6.97	5.87	∅ 7.32 - 7.40
20WUE07	mm	200	271	98	36	62	36	237	201	∅ 247 - 250
	inch	7.88	10.67	3.86	1.42	2.44	1.42	9.33	7.92	∅ 9.73 - 9.85

型號 Model	風量 Air Volume [CMH (CFH)]	風扇轉速 Fan Speed [R.P.M.]	噪音水平 Noise Level [dB(A)]	耗電量 Power Consumption [Watt]	淨重 Net Weight [Kg]
15WUE07	210 (7,420)	1,524	34	7.7	0.9
20WUE07	420 (14,830)	1,205	39	17	1.1



15WULA07 (6")
20WULA07 (8")



單位 unit: 毫米 mm

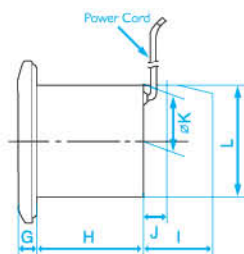
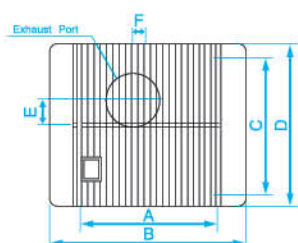
Model		A	B	C	D	E	F	G	H	Installation Size
15WULA07	mm	150	210	97	43	54	38	177	149	∅ 186 - 188
	inch	5.91	8.27	3.82	1.69	2.13	1.5	6.97	5.87	∅ 7.32 - 7.40
20WULA07	mm	200	271	98	36	62	36	237	201	∅ 247 - 250
	inch	7.88	10.67	3.86	1.42	2.44	1.42	9.33	7.92	∅ 9.73 - 9.85

型號 Model No.	風量 Air Volume [CMH (CFH)]	風扇轉速 Fan Speed [R.P.M.]	噪音水平 Noise Level [dB(A)]	耗電量 Power Consumption [Watt]	淨重 Net Weight [Kg]
15WULA07	192 (6,780)	1,524	34	7.7	0.9
20WULA07	342 (12,080)	1,205	39	17	1.1



10BAQ107 (4")

單位 unit: 毫米 mm



特點 Features

適合沒有窗口之浴室使用
Suitable for bathroom
without window

符合防水安全規格 IPX4 (室外)
Comply with IPX4 (Outside)

Ø100mm可駁喉式掛牆抽氣扇
Ø100mm duct-type wall
mount ventilating fan

Model		A	B	C	D	E	F	G	H	I	J	K	L
10BAQ107	mm	180	260	178	210	34	20	24	140	90	30	74	150 x 200
	inch	7.09	10.24	7.01	8.27	1.34	0.79	0.94	5.51	3.54	1.18	2.91	5.9 x 7.87

型號 Model	風量 Air Volume [CMH (CFH)]	風扇轉速 Fan Speed [R.P.M.]	噪音水平 Noise Level [dB(A)]	耗電量 Power Consumption [Watt]	淨重 Net Weight [Kg]
10BAQ107	77 (2,719)	1,250	40	15	1.7



特點 Features

1 卓越排氣功能 EXCELLENT EXHAUST PERFORMANCE

25AUF07能承受高壓，在20Pa時，此換氣扇所承受的風量與目前的型號比較(25DLC07)增加大約10%。因此，更適用於抵受勁風的建築物，特別是高樓大廈。

25AUF07 is sustainable to high static pressure. At 20Pa, its air volume can increase around 10% when compared with the current model (25DLC07), so it is more suitable for the buildings exposing strong breeze, especially in high rise buildings.

2 HP (Half-Pitch)馬達 HP (HALF-PITCH) MOTOR

高效馬達配備潤滑充足的軸承裝置，大大增加產品耐用性，加強節能效果。

The highly efficient motor equipped with well lubricated bearing that prolongs the product durability and enhances energy saving.

3 易潔塗層-簡易清潔 EASY CLEAN COATING -CONVENIENT

可拆式鋁質過濾網，經“Hydrophobic”易潔塗層處理。易潔塗層是一種氟化合物，能減低水份及油份跟表面的接觸。這種材料的表面張力較低，從而使油滴下來而不會黏著。

The perforated aluminum filter is processed with an easy-clean coating named “Hydrophobic Coating”, It is basically a paint composed of fluorine compound particles that have small affinity with water or oil. This material has low surface tension allowing oil droplets falling on without adhering to the materials.

4 大容量承油杯 LARGE CAPACITY OIL CUP

可拆式承油杯備有油量顯示，其大容量設計可減少處理積油的次數。

The detachable oil indicator possesses large volume capacity that facilitates maintenance and reduces the frequency of oil disposal.

濾網型
Filter Type
25AUF07 (10")



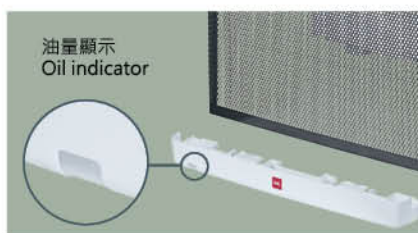
適合一般廚房使用
Suitable for kitchen

嶄新扇葉設計
Advanced Blade Design

符合防水安全規格IPX4(室外)
Comply with IPX4 (Outside)



註：描繪圖像，只作說明用途
Note; this is image pictures and for easy understanding only





電動背板型
Electric Shutter Type
20DLC07 (8")
25DLC07 (10")

- 適合一般廚房使用
Suitable for kitchen
- 面罩置有油杯
Oil cup equipped on orifice
- 前置安全網，安全美觀
Attached front louver for safety and better outlook
- 符合防水安全規格 IPX4 (室外)
Comply with IPX4 (Outside)

特點 Features

電動百葉背板開關設計
Electrically Operated Shutter

嶄新扇葉設計
Advanced Blade Design

全新 HP 馬達及軸承
New HP Motor & Bearing

低耗電量
Low Power Consumption

嶄新扇葉設計 Advanced Blade Design

(30ALF07 / 15AAQ107 除外)
(Except 30ALF07 / 15AAQ107)

同樣均採用嶄新扇葉設計—利用空氣動力原理，減少對氣流的任何阻力。

New blade design are also applied. It uses advanced aerodynamic principle to minimize any obstacles against the airflow.

扇葉前緣 Leading Edge



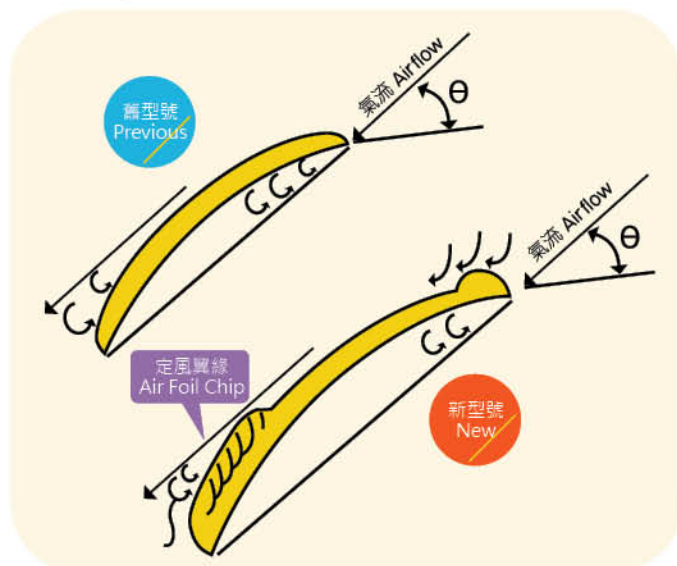
定風翼緣 Air Foil Chip

定風翼緣能減低扇葉後邊的亂流，其前方的弧度經改良後，有助氣流流動，並有效減少噪音。

Air Foil Chip is to reduce turbulence at rear edge, and curvature of front edge is improved for smooth airflow that minimizes fan noise as well.

經改良的扇葉前緣不會對氣流形成障礙，任何角度空氣都能順利流通。

Leading Edge forms no obstacle to airflow that streamlines airflow from every direction.





標準型
Standard Type
20AUH07 (8")
25AUH07 (10")
30AUH07 (12")



網罩型
Louver Type
30ALF07(12")



15AAQ107(6")

- 適合一般廚房使用
Suitable for kitchen
- 面罩置有油杯
Oil cup equipped on orifice
- 符合防水安全規格IPX4 (室外)
Comply with IPX4(Outside)

特點 Features

嶄新扇葉設計
Advanced Blade Design

全新 HP馬達及軸承
New HP Motor & Bearing

低耗電量
Low Power Consumption

全新 HP馬達及軸承
New HP Motor & Bearing

比較舊型號，新型號採用高性能電容馬達及長壽命軸承，使產品更耐用持久。平均使用時間由30,000小時增至60,000小時。並且，能源消耗平均節省達13%。

Compared with previous models, new models adopt high performance condenser motor and long life bearing that prolong the product durability. From average 30,000 hours life time to 60,000 hours. They also enable energy saving by reducing power consumption down to average 13%.



新型號採用 HP 馬達及軸承
"HP motor" and "Bearing" used in new models

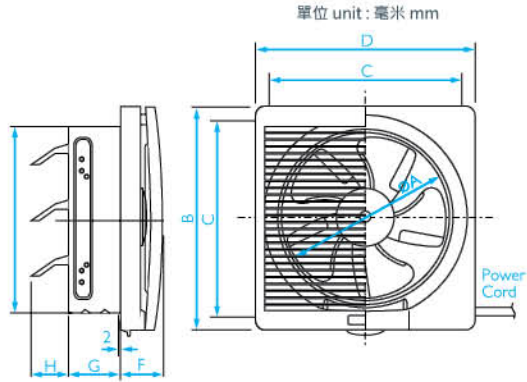


舊型號
Previous Models

掛牆式換氣扇 | Wall Mount Type



20DLC07 (8")
25DLC07 (10")

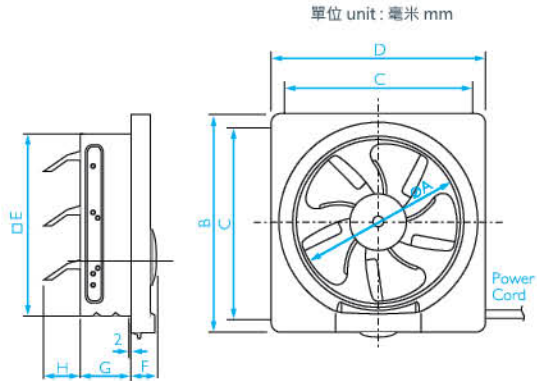


Model		A	B	C	D	E	F	G	H	Installation Size
20DLC07	mm	200	306	260	302	240	68	90	80	250 x 250
	inch	7.87	12.05	10.24	11.89	9.45	2.68	3.54	3.15	9.84 x 9.84
25DLC07	mm	250	356	310	352	290	63	90	63	300 x 300
	inch	9.84	14.02	12.20	13.86	11.42	2.48	3.54	2.48	11.81 x 11.81

型號 Model No.	風量 Air Volume [CMH] [CFH]	風扇轉速 Fan Speed [R.P.M.]	噪音水平 Noise Level [dB(A)]	耗電量 Power Consumption [Watt]	淨重 Net Weight [Kg]
20DLC07	560 (19,776)	1,210	38	22	2.5
25DLC07	882 (31,147)	1,060	40	29	2.9



20AUH07 (8")
25AUH07 (10")
30AUH07 (12")

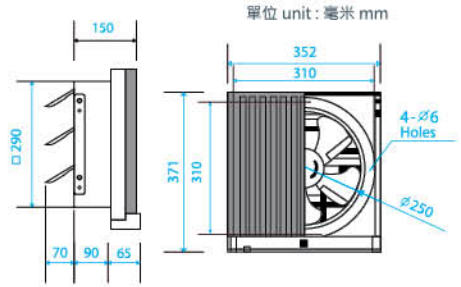


Model		A	B	C	D	E	F	G	H	Installation Size
20AUH07	mm	200	306	260	302	240	52	90	80	250 x 250
	inch	7.87	12.05	10.24	11.89	9.45	2.05	3.54	3.15	9.84 x 9.84
25AUH07	mm	250	356	310	352	290	38	90	63	300 x 300
	inch	9.84	14.02	12.20	13.86	11.42	1.50	3.54	2.48	11.81 x 11.81
30AUH07	mm	300	406	360	402	340	38	90	78	350 x 350
	inch	11.81	15.98	14.17	15.83	13.39	1.50	3.54	3.07	13.78 x 13.78

型號 Model No.	風量 Air Volume [CMH] [CFH]	風扇轉速 Fan Speed [R.P.M.]	噪音水平 Noise Level [dB(A)]	耗電量 Power Consumption [Watt]	淨重 Net Weight [Kg]
20AUH07	580 (20,480)	1,245	38	22	2.0
25AUH07	920 (32,490)	1,125	39	29	2.4
30AUH07	1,200 (43,380)	1,030	39	29	2.7



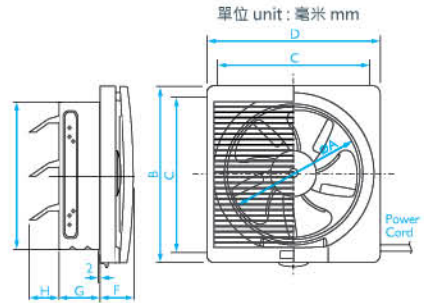
25AUFA07 (10")



型號 Model No.	風量 Air Volume [CMH (CFH)]	風扇轉速 Fan Speed [R.P.M.]	噪音水平 Noise Level [dB(A)]	耗電量 Power Consumption [Watt]	淨重 Net Weight [Kg]
25AUFA07	835 (29,488)	1,100	42	34	2.8



30ALF07 (12")

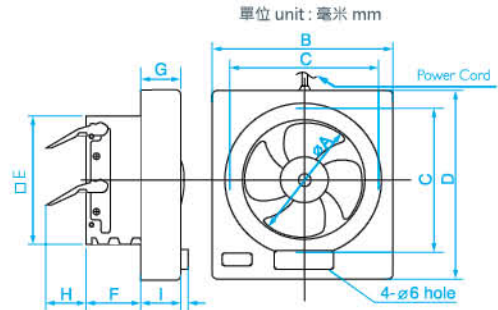


Model		A	B	C	D	E	F	G	H	Installation Size
30ALF07	mm	300	400	360	400	340	63	90	78	350 x 350
	inch	11.81	15.75	14.17	15.75	13.39	2.48	3.54	3.07	13.78 x 13.78

型號 Model No.	風量 Air Volume [CMH (CFH)]	風扇轉速 Fan Speed [R.P.M.]	噪音水平 Noise Level [dB(A)]	耗電量 Power Consumption [Watt]	淨重 Net Weight [Kg]
30ALF07	935 (33,020)	905	39	29	3.1



15AAQ107 (6")



Model		A	B	C	D	E	F	G	H	I	Installation Size
15AAQ107	mm	150	240	195	254	170	75	55	54	52	175 x 175
	inch	5.91	9.45	7.68	10.00	6.69	2.95	2.17	2.13	2.05	6.89 x 6.89

型號 Model No.	風量 Air Volume [CMH (CFH)]	風扇轉速 Fan Speed [R.P.M.]	噪音水平 Noise Level [dB(A)]	耗電量 Power Consumption [Watt]	淨重 Net Weight [Kg]
15AAQ107	290 (10,241)	1,480	31	15	1.4



24JRB



24JAB

節能、直流馬達

Energy Saving – DC Motor

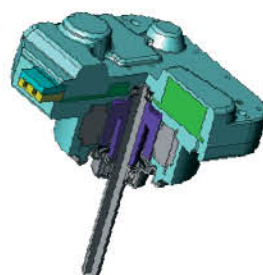
能源效益 Consumption Reduction

換氣扇採用直流馬達，可減少電力消耗，節省能源。

直流馬達的溫度升比交流馬達低，所以直流馬達的壽命比交流馬達相對較長。

These fans are adopted with Direct Current (DC) Motor to reduce power consumption in order to save energy.

Temperature rise of DC motor is comparatively lower than AC motor that lifetime of DC motor is longer than AC motor accordingly.



2 風量、恆穩輸出

Air Flow – Constant Output

智能技術 Intelligent Technology

換氣扇採用智能技術，以恆穩的風量運作，不會因為彎管(elbows)和其它影響風量的因素而降低。基本上，當風扇面對靜壓時，其轉速會自動增加，以確保預設的風量而達到肯定的功效及抽氣表現。

These fans are equipped an intelligent technology, by which the fans perform at a constant airflow regardless of elbows and factors that might affect the performance.

Basically, when the fan faces static pressure, its speed is automatically increased to ensure the desired air flow and allows the fan to perform as rated.

	靜壓 Static Pressure	24JRB	24CMDA
風量 Air Volume	0Pa	160	165
	51Pa	160	125

3 延緩時間 – 15分鐘

Delay Time – 15 Minutes

便利生活 Convenience

當換氣扇被關掉或在15分鐘內，沒有感測到任何動作，它會轉至預設的低風速運作。

These fans are equipped with a Delay Timer 15 minutes. As the fan is switched off or without any motion detected after a period of time set by the user, it will return to the present low air volume level.

4 風量 – 4 段選擇 Air Volume – 4 Variables

彈性選擇 High Flexibility

換氣扇設有多段風量調校，可選擇以 80-160 CMH 或停止 0 CMH 運行。每當啟動開關或經紅外線感應起動時，風量會提升至最高 160 CMH。

These fans are equipped with Variable Speed Control that allows the fans to run at preset lower level of 80-160 CMH or 0 CMH, then be elevated to a maximum of 160 CMH when the switch is turned on, or activated via the Motion Sensor.



風量調校掣
Air Volume Adjustment Switch

調校範圍 [CMH]
0 / 80 / 120 / 160

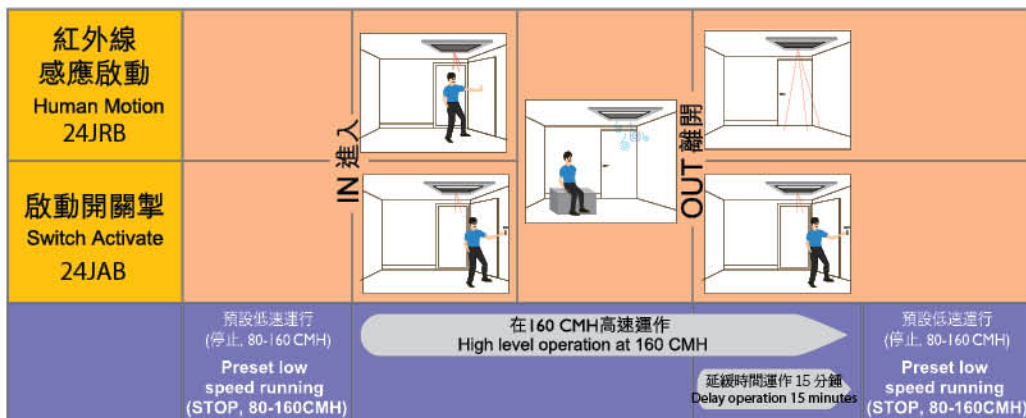
5 感應器 – 紅外線感應 Sensor – Motion Sensor

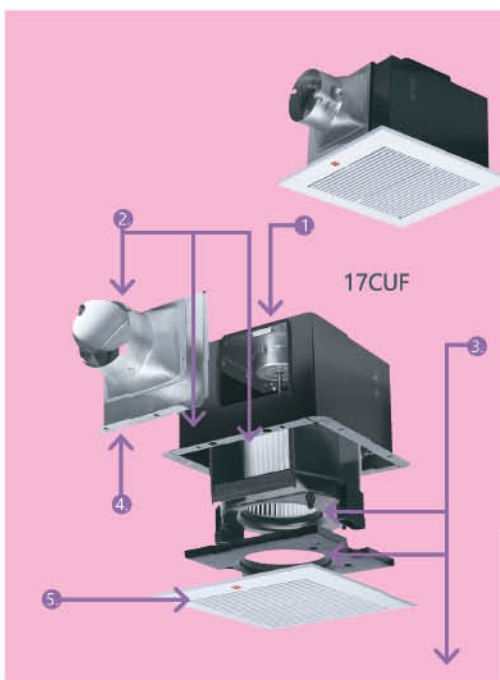
自動運作 Auto Operation

24JRB 設有 "紅外線感應"，可在您進入房間時自動啟動，離開後自動關上。

Just updated with the "Motion Sensor" ventilating fan 24JRA which can be switched on automatically when you enter the room and switched off itself again after you leave.

6 局部換氣及全面換氣的運作 The operation of spot ventilation and whole ventilation





透過「雙重面罩」結構，噪音有效地降低而雙重面罩及外殼之間所產生的噪音亦可減少。

By the "Double Orifice" Structure, noise are effectively absorbed and reduced between the double orifice and casing.

(只適用於17CUF)
(Only for 17CUF)



1 長壽命 Long Life

- 獨特設計的馬達以及高度潤滑的滾珠軸承，可減低溫度上升，從而增加馬達壽命及延長產品之耐用性。
- The unique design of new motor, incorporates with well-lubricated ball bearings, temperature rise is reduced that can increase the motor life time and prolongs the product durability.

2 性能卓越 High Efficiency

- 錐形扇葉設計有效控制了扇葉周圍產生的亂流，實現了扇葉整體強力流暢的換氣功能及減低噪音。
- 獨特的焊縫加工技術，提高了主機外殼的強度及密封性。
- 備有防逆流百葉，增強了密封性。
- Taper blade design effectively controls the air turbulence surrounding the blade. That achieves the strong and smooth ventilation performance, as well as reduces the noise level, by whole of the blade.
- Seam-processed casing ensures strength and hermetic sealing.
- Reverse flow prevention shutter results in further improvement of air tightness.

3 超靜音運作 Super Low Noise Operation

- “雙重面罩”的獨創結構能使抽氣扇所產生的噪音傳輸減到最少。這技術可進一步使操作噪音降低至30分貝以下，並為你造舒適的環境。
- Distinctive structure "Double Orifice" minimizes the transmission of noise from fan and motor to exterior. This technology further reduces the operation noise to incredibly low level below 30dB(A) through "Resonance-Noise-Absorption" which creates a tranquility and silent environment for your life.

4 簡易安裝 Easy Installation

- 盒式匹配器，使進行通風管道的連接工作，更方便快捷。
- Cassette type discharge adaptor facilitating installation of the product, as well as ductwork connecting.

5 簡易維修 Easy Maintenance

- 一按式入風面板，可以簡單地進行安裝及拆卸工作，方便清潔。
- One touch louver allows installation and removal of louver by finger touch.

鋼製
Steel Type



24CMUA 外殼 Casing 金屬 Metal
24CMDA 扇葉 Blade 金屬 Metal
24CMHA 面罩 Louver 金屬 Metal

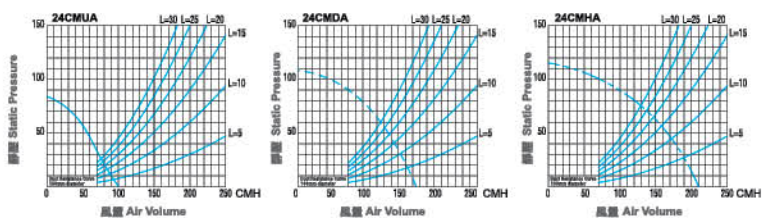
特點 Features

全鋼型號
Steel Type

高性能離心扇
High performance sirocco fan

可拆式方圓匹配器
Detachable round to square adaptor

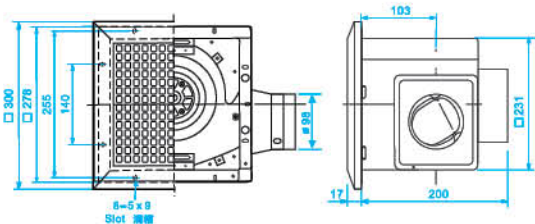
簡單彈簧式入風面板
Spring snap-in front louver



單位 unit: 毫米 mm



24CMUA 24CMDA 24CMHA

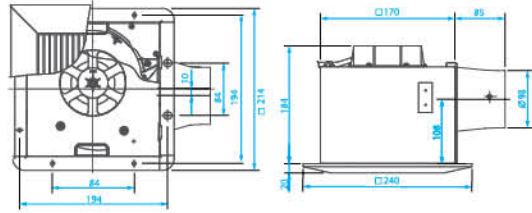
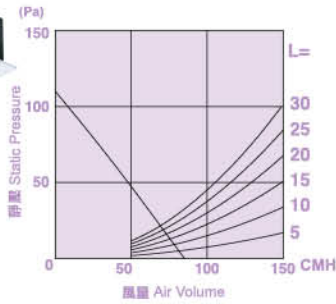


型號 Model No.	風量 Air Volume [CMH (CFH)]	風扇轉速 Fan Speed [R.P.M.]	耗電量 Consumption [Watt]	噪音 Noise [dB(A)]	淨重 Net Weight [公斤] [Kg]	安裝尺寸 Installation Hole Size [毫米] [mm]	導管直徑 Duct Diameter [毫米] [mm]
24CMUA	100 (3,531)	495	11	26	3.8	240 x 240	Ø 100
24CMDA	165 (5,826)	670	18	33	3.8		
24CMHA	210 (7,416)	800	25	38	3.8		

天花板式換氣扇 | Ceiling Mount Type



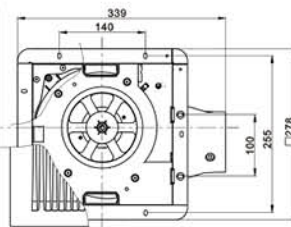
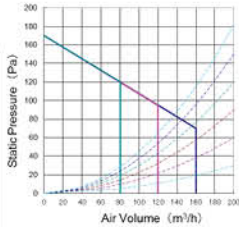
17CUF



型號 Model No.	風量 Air Volume [CMH (CFH)]	風扇轉速 Fan Speed [R.P.M.]	耗電量 Consumption [Watt]	噪音 Noise [dB(A)]	淨重 Net Weight [公斤] [Kg]	安裝尺寸 Installation Hole Size [毫米] [mm]	導管直徑 Duct Diameter [毫米] [mm]
17CUF	85 (3,001)	790	11	26	1.9	177x177	∅ 100



24JRB



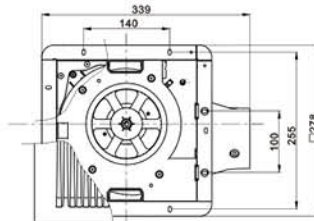
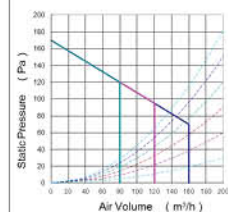
單位 unit: 毫米 mm

型號 Model No.	風量 Air Volume		風扇轉速 [R.P.M.]	耗電量 Consumption [W]	噪音 Noise [dB(A)]	淨重 Net Weight [公斤] [Kg]	安裝尺寸 Installation Hole Size [毫米] [mm]	導管直徑 Duct Diameter [毫米] [mm]
	0 Pa	[CMH (CFH)]						
24JRB	0 Pa	160 (5,650)	794	8	31	2.9	240x240	∅ 100
	51 Pa	160 (5,650)						
	63 Pa	160 (5,650)						

25



24JAB



單位 unit: 毫米 mm

型號 Model No.	風量 Air Volume		風扇轉速 [R.P.M.]	耗電量 Consumption [W]	噪音 Noise [dB(A)]	淨重 Net Weight [公斤] [Kg]	安裝尺寸 Installation Hole Size [毫米] [mm]	導管直徑 Duct Diameter [毫米] [mm]
	0 Pa	[CMH (CFH)]						
24JAB	0 Pa	160 (5,650)	742	8	31	2.9	240x240	∅ 100
	51 Pa	160 (5,650)						
	63 Pa	160 (5,650)						



47UDAH

霧氣浴室換氣暖風機



i·ミスト (離子微霧)，同時享受滋潤和蒸氣浴兩種效果的清澄微霧蒸氣浴，讓你享受高質素的沐浴時間

“i·ミスト(離子微霧)”是指，通過水分子破碎方式，產生肉眼看不見的納米微細水，從而在低溫環境中也可以有促進出汗的作用。具有身臨瀑布般治療效果的負離子。含有豐富負離子的清澄微霧，可以讓你的身心重新充滿活力。另外，有“濕潤模式”和“蒸氣浴模式”兩種模式，所以可以享受到更加充實的沐浴時間。

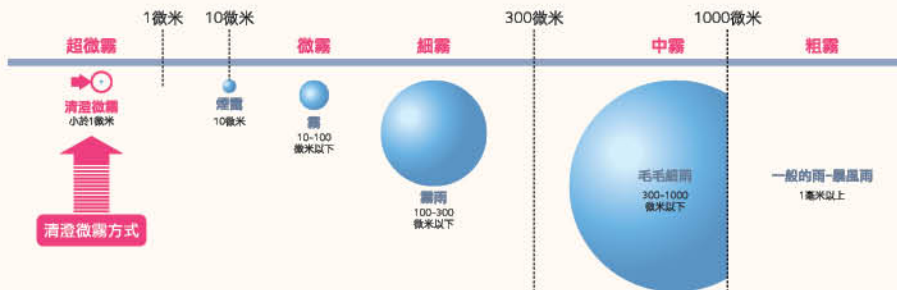


看不見的清澄微霧®



清澄微霧是帶有負離子而小於1微米（1毫米的1000分之一）的微細納米水，所以水滴是超微粒，沒有濡濕感。和乾熱蒸氣浴的高溫、低濕度相比，這可以營造對身體負擔小的低溫、高濕度浴室環境，所以男女老少都可以慢慢享受沐浴時間。

● 水滴直徑 (示意圖)



※ 負離子.....可以和帶負電的氧和空氣中的微小水份結合的物質。特別是在瀑布和噴水池等水份很多的地方容易產生。
 ※ 微細納米水.....通過水分子破碎產生的小於1微米（1毫米的1000分之一）的微細水滴。

* 納米微細水*及清澄微霧*是松下的註冊商標。

清澄微霧
濕潤模式

… 濕潤模式讓你的肌膚和頭髮都變得滋潤。嶄新的沐浴方式！

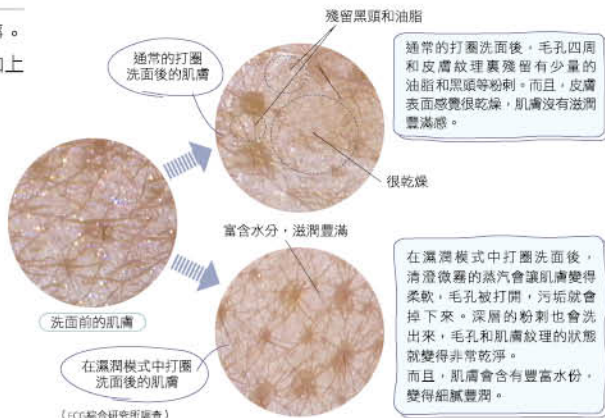


洗面倍感清爽

在濕潤模式中打圈洗面的話，會將毛孔深處的污垢洗乾淨。另外，肌膚可以保持充足的水份，變得滋潤豐滿，如果加上面部按摩的話效果會更好。



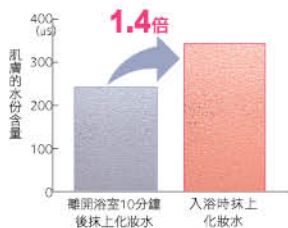
● 洗面污垢清除效果（顯微鏡圖像）



給肌膚保濕

變得豐潤細膩的肌膚，更容易讓化妝水滲透，而且充滿整個浴室的清澄微霧會輕柔的覆蓋肌膚表面。

● 45分鐘後的肌膚（臉頰部）的水份含量比較



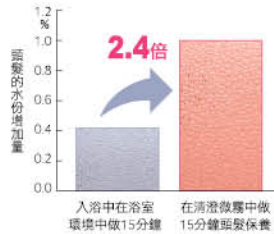
※ 在濕潤模式中沐浴15分鐘 (FCG綜合研究所調查)



給頭髮保濕

清潔霧氣可以給頭髮做保養。不會損失水份，可以讓頭髮保濕。

● 2.4小時後的頭髮的水份增加量比較



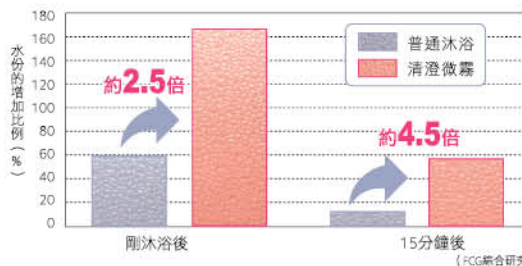
(FCG綜合研究所調查)

27



清澄微霧中，保濕效果可達4.5倍

在清澄微霧蒸汽浴中沐浴時，和通常的沐浴相比，保濕效果會提高。實驗資料顯示，入浴後的肌膚含有的水份量是剛沐浴後的2.5倍，15分鐘後是4.5倍。



● 肌膚（臉頰部）的水份含量

※ 沐浴條件：沐浴10分鐘
通常沐浴的熱水溫度：大約39℃
微霧沐浴的溫度：大約40℃，90%

清澄微霧
蒸氣浴模式

... 在促進發汗的蒸氣浴模式中，保持健康生活。



出汗，恢復活力

充滿清澄微霧的浴室，沒有乾熱蒸氣浴的窒息感，也沒有大汗淋漓，由於是微細納米水，所以發汗量一目了然。

出汗讓疲憊的身體恢復活力。



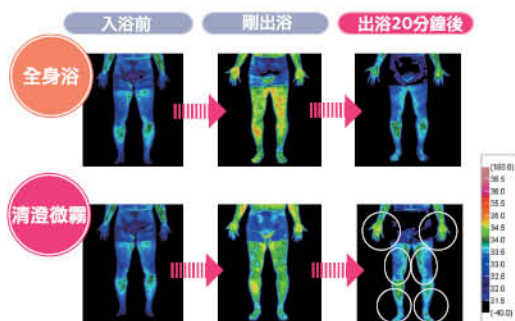
※ 出汗的方式因人而異。



保溫效果，使人快速 深層入睡

清潔霧氣，在低溫中也可以給手腳末梢保溫，所以入浴後身體變得暖洋洋。在睡覺之前沐浴後，會睡的很耐。

● 溫度計測量的體溫差異（40幾歲男性）



※（本公司調查的資料）



雖然是蒸氣浴，但是可以看書或看浴室專用電視！

由於清澄微霧是看不到的，所以在沐浴時可以看書，看浴室專用電視，悠閒放鬆。

可以對應廣泛的沐浴類型

清澄微霧，可以選擇濕潤模式和蒸氣浴模式。各模式可以調節5段溫度，並根據自己的喜好選擇沐浴類型。



沐浴類型的示意

清澄微霧
蒸氣浴模式

... 以大約40°C為中心，可以切換5段溫度。

多功能集於一身

霧氣浴室換氣暖風機，除了具有清澄微霧的蒸氣浴功能外，還有暖氣、乾燥、換氣、循環等多種功能。是舒適地使用浴室的良好伴侶。



暖氣

備有2.8KW強勁發熱器，可迅速將浴室暖和



衣物乾燥

將衣物晾起來乾燥，衣服不容易起褶皺，而且可以很快變得鬆軟



換氣

不受導管及外風壓影響，保持恆穩風量，達到預期的換氣效果(恆穩風量只適用於個別型號)



循環

風向可以設置6個角度或者自動操作，夏天氣溫炎熱時最有用處

29

運轉成本非常低，可以放心

離子微霧一次使用30分鐘(其中15分鐘是預備運轉)大約HK\$1.4，所以可以放心的每天享受清澄微霧沐浴。

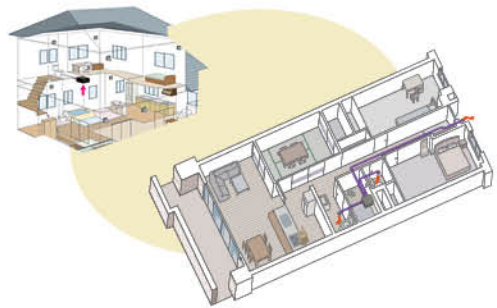
* 電費以平均 HK\$0.99 / Kwh 計算



- ※ 運轉成本和預備運轉時間會因為季節、室溫、浴室的大小、密閉性、隔熱性的不同而有所差異。
- ※ 為了保證舒適的沐浴，需要大約15分鐘的預備運轉。(浴室溫度為15°C時)

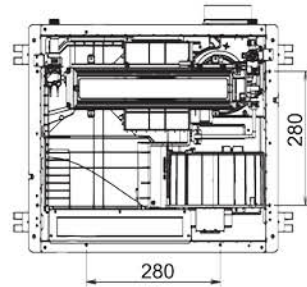
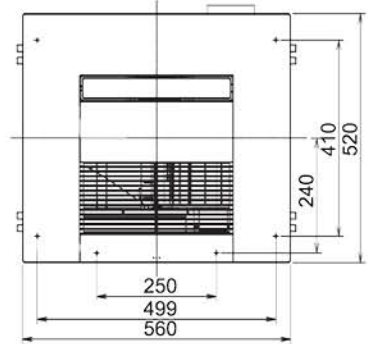
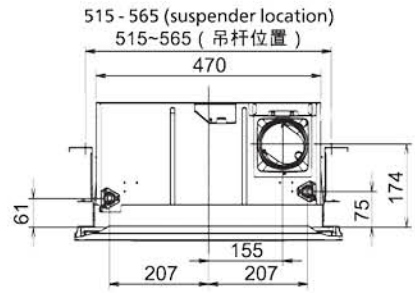
對應24小時換氣

配備直流(DC)馬達，兼具恆穩風量功能，可以對應高樓層的高靜壓，適合24小時全面換氣。(恆穩風量只適用於個別型號)

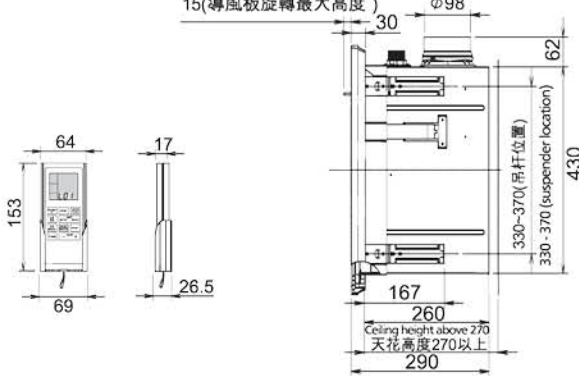




47UDAH



15 (maximum rotation height of wind deflector)
15(導風板旋轉最大高度)



Model 型號	Rated Voltage 額定電壓 [V]	Rated Frequency 額定頻率 [Hz]	Power Consumption 額定輸入總 功率 [W]	Rated Current 額定電流 [A]	Air Volume 換氣風量 [m³/h]	24-hour Ventilation 24小時換氣 風量 [m³/h]	Weight 淨重 [Kg]	
47UDAH	220	50	3575	16	130	75	17.5	
Power 功率 [W]								
Mist 氣霧		Heat 取暖		Hot Dry 熱乾燥	Cool Dry 涼乾燥	Vent 換氣		24-hour Ventilation 24小時換氣
Sweat 出汗	Moist 滋潤	Hi 強	Low 弱			Hi 強	Low 弱	
3500	3400	3500	2050	3575	55	22	10	10
Noises 噪音 [dB]								
Mist 氣霧		Heat 取暖		Hot Dry 熱乾燥	Cool Dry 涼乾燥	Vent 換氣		24-hour Ventilation 24小時換氣
Sweat 出汗	Moist 滋潤	Hi 強	Low 弱			Hi 強	Low 弱	
51	48	50	43	50	50	37	27	27



40BEBH
(PTC型號 PTC Type)

- 特點 Features
- 乾衣功能 Clothes Drying
 - 換氣功能 Ventilation
 - 暖氣功能 Heating
 - 循環功能 Circulation
 - 2650W 高效能PTC發熱器
 - 2650W High Efficiency PTC

送風方向 Air Direction

可調較送風 Adjustable Air Direction

提供五種垂直風向，任君選擇。

There are five selections for air direction that allows you to choose the airflow as desired.

自動搖擺送風 Auto Swing Operation

導風板的搖擺動作，把空氣吹送至浴室的每個角落。
With this mode, the baffle plate swings to enable the airflow to reach all corners of the bathroom.

自動暖氣功能 "Auto-heat Mode"

可於1.5分鐘內把浴室升溫至攝氏30度。

It can instantly warm up the bathroom to 30°C in only 1.5 minutes

送風模式 Air Modes

集中送風 Spot Air mode

把暖風集中，於短時間內提升局部位置所需溫度。
Warm air is centralized that desired temperature at spot area can reach in a short period of time.

擴散送風 Wide Air Mode

擴散送風模式令空氣於整間浴室遍佈吹送。
With the wide air mode, circulation air is adjusted to spread widely to the whole bathroom.

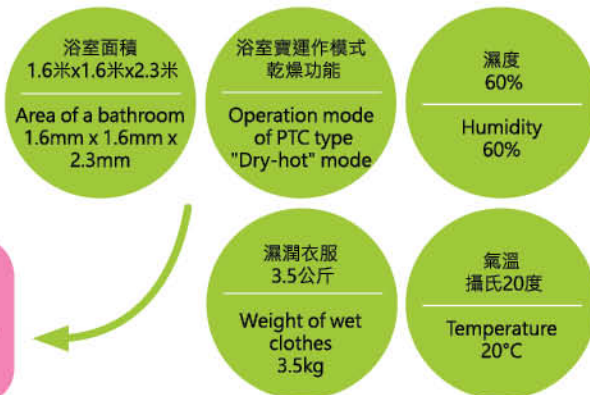
自動暖氣功能 "Auto-heat Mode"
面積 Area : 1.6米x1.6米x2.3米
始溫 Initial Temperature : 攝氏5度

40BEBH乾衣功能測試 40BEBH Clothes Drying Test

配合嶄新送風角度，乾衣功能得以大大提升
With the newly advanced air direction, the clothes drying performance is greatly increased.

結果: PTC型號可於 92 分鐘把衣服弄乾

Result: By using the PTC type. It takes only 92 minutes to dry the clothes





40BDAH
(PTC型號 PTC Type)

特點 Features

乾衣功能 Clothes Drying

換氣功能 Ventilation

暖氣功能 Heating

循環功能 Circulation

2450W 高效能PTC發熱器

2450W high efficiency PTC



速暖功能

Heating (Hot Start)

'速暖'功能可於短時間將浴室內溫度上升至舒適狀態^{*1}。高效能的PTC加熱器能於6分鐘將浴室瞬間升溫至30°C^{*2}。

"Hot Start"function warms up the room to a comfortable condition within a short time^{*1}. High capacity PTC heating element can instantly warm up the bathroom to 30°C^{*2} in only 6 minutes



抗菌過濾網

Alleru Buster Filter

抗菌過濾網能淨化在易滋生霉菌的浴室中起到抗菌作用，能帶給你一個健康和乾淨的浴室環境。

Equipped with "Alleru-buster Filter", it can purify the air inside the bathroom that maintains a healthy and clean environment.

*1: '速暖'功能僅在20°C以下並產品運作時發揮作用
'Hot Start'only functions when it is below 20°C during operation

*2: 房間尺寸為1.6米 x 1.6米 x 2.2米 · 溫度為攝氏5°C
Room size is 1.6m X 1.6m X 2.2m at 5°C



30BGAH
(PTC型號 PTC Type)

特點 Features

乾衣功能 Clothes Drying

換氣功能 Ventilation

暖氣功能 Heating

循環功能 Circulation

高效能PTC發熱器 High efficiency PTC

纖巧慳位 Compact size

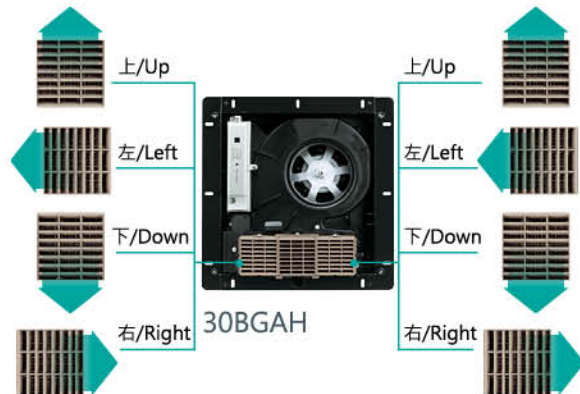
可調較送風 Adjustable air direction






可調校送風
Adjustable Air Direction

根據個人喜好，通過調節左右兩邊出風柵格的出風方向，來選擇集中或擴散送風模式，令您享受更溫暖的沐浴時刻。

Based on your preference, you are allowed to adjust the air direction by the left and right air outlet grilles. It can further provide you with with selection of Spot or Wide air modes to ensure the comfort during bath.

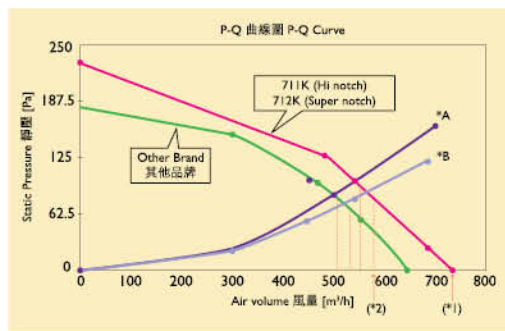


	 高級型 Deluxe Type 40BEBH	 標準型 Standard Type 40BDAH	 纖巧型 Slim Type 30BGAH
發熱器 Heating Element	PTC	PTC	PTC
控制器類型 Remote Type	無線遙控 Wireless Remote	有線遙控 Wired Remote	無線遙控 Wireless Remote
控制器連接線 Remote Wire	不適用 Not applicable	6米長10芯訊號線 6 meter long 10-wire Controller Cord	不適用 Not applicable
暖氣 Heating	高 / 低 / 自動 Hi/Lo/Auto	高 / 低 Hi/Lo	✓
換氣 Ventilation	24小時 / 高 / 低 24 Hours/Hi/Lo	高 / 低 Hi/Lo	✓
乾衣(暖風乾燥) Clothes Drying (Dry Hot)	高 / 低 Hi/Lo	✓	✓
循環(涼風乾燥) Circulation (Dry Cool)	高 / 低 Hi/Lo	✓	✓
時間掣(分鐘) Timer(Minute)			
暖氣 Heating	5 - 180	5/15/30/ 60/180	5/15/30/ 60/180
換氣 Ventilation	5 - 720/ 連續運作 cont.	5/15/30/ 60/180/ 連續運作 cont.	5/15/30/ 60/180/ 連續運作 cont.
乾衣(暖風乾燥) Clothes Drying (Dry Hot)	5 - 360	5/15/30/ 60/180	5/15/30/ 60/180
循環(涼風乾燥) Circulation (Dry Cool)	5 - 720/ 連續運作 cont.	5/15/30/ 60/180/ 連續運作 cont.	5/15/30/ 60/180/ 連續運作 cont.
送風角度調校 Air Outlet Angle Adjustment	經無線遙控器 by Wireless Remote Controller	不適用 Not applicable	經出風柵格 by Air Outlet Grilles
過濾網 Filter	抗菌過濾網 Alleru-buster Filter	抗菌過濾網 Alleru-buster Filter	抗菌過濾網 Alleru-buster Filter

為什麼選擇KDK抽油煙機? Why choose KDK range hood?

1 性能卓越 High Performance

- 當靜壓為0時，風量可達730m³/h(*1)。
- Air volume up to 730m³/h if static pressure is 0 Pa.(*1)
- 吸力強勁，在模擬實際使用之環境下，吸力仍可達到580m³/h(*2)。
- Extraction power is sufficient enough even in actual usage; air volume can maintain up to 580m³/h in simulation condition(*2)
- 獨有的千葉渦輪扇葉能產生更穩定的風量。
- Sirocco fan can produce stable air volume when static pressure is high.



35

- 模擬使用情況
- Simulation condition
 - A 使用情況：當使用15米長的導管時的空氣阻力。
 - Condition A: Air resistance curve when duct of length 15m is used.
 - B 使用情況：安裝了1.5米長的導管及網罩(*2)
 - Condition B: 1.5m duct and grill is installed(*2).
- 經過各種測試後，而得出以下結論：
- We have the following conclusion after different testings:

	Air Volume 風量m ³ /h	
	Condition A	Condition B
711K (Hi notch)	550	580
Other Brand 其他品牌	500	530

2 千葉渦輪扇葉設計 · 吸力強勁 Powerful Sirocco Fan Design

- 以先進氣流力學原理設計的千葉渦輪(Sirocco Fan)，轉動時能產生強勁的旋渦氣流，將空氣中的油煙和飄浮的油霧迅速收集及抽走，不但有效抽除油煙，連油煙味亦一併清除。加上流線型內膽，運作寧靜類暢。
- The Sirocco fan applies advanced aerodynamic theory in a revolutionary design to create a powerful airflow capable of removing smoke, smell and oil mist with ease.



3 超靜音運作 Whisper Silent

- 千葉渦輪配合流線型內膽，操作寧靜，噪音更可低至53分貝。
- Sirocco fan maintains better performance than turbo fan and keeps a low noise level at 53dB.

4 延遲關機設計 Prolonged Off-Timer

- 烹調完畢後，預設的延長抽油煙機時間功能(8分鐘)，把剩餘的油煙，異味排走後，便會自動關機，確保廚房乾淨清爽。(只適用於712K)
- The 8-minute prolonged off-timer design absorbs residual oil vapor after cooking (712K only).

5 易拆洗 Easy Detachable

- 護罩及扇葉能輕易拆除，以便清洗。
- Fan guards and fans can be simply detached for cleaning.

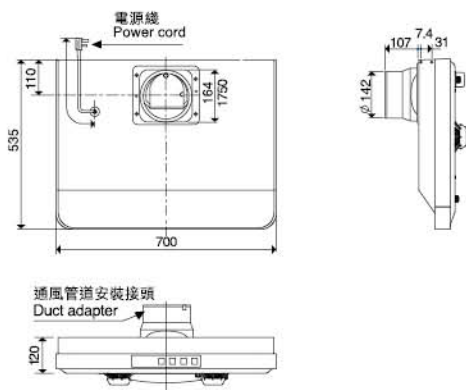
6 時尚設計 Attractive Design

- 機身纖巧
- 機身厚度只有120mm，配合不同廚房設計。
- Slim
- Product Height only 120mm can match your interior of kitchen perfectly.



711K

單位 unit: 毫米 mm



特點 Features

易拆式設計 (可拆下扇葉清洗)
Easy clean design (Detachable fan for cleaning)

超靜音運作
Whisper silent operation

千葉渦輪扇葉 · 適合高靜壓環境使用
Sirocco fan overcomes high static pressure environment

120mm纖巧機身
Slim design of 120mm

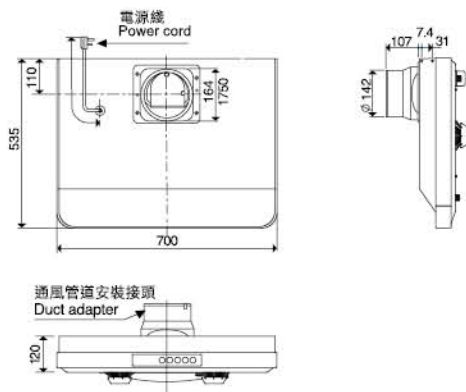
左/右扇葉獨立開關
Left/right separate operation

型號 Model No.	速度 Speed	風量 Air Volume [CMH]/[CFH]	耗電量 Power Consumption [Watt]	噪音水平 Noise Level [dB(A)]	靜壓 Static Pressure [Pa]	淨重 Net Weight [Kg]
711K	Hi	730 (25,800)	140	53	232	17.5
	Lo	430 (15,200)	72			



712K

單位 unit: 毫米 mm



特點 Features

易拆式設計 (可拆下扇葉清洗)
Easy clean design (Detachable fan for cleaning)

超靜音運作
Whisper silent operation

千葉渦輪扇葉 · 適合高靜壓環境使用
Sirocco fan overcomes high static pressure environment

120mm纖巧機身
Slim design of 120mm

輕觸式開關
Soft touch panel operation

延遲開機功能
Prolonged off-timer

型號 Model No.	速度 Speed	風量 Air Volume [CMH]/[CFH]	耗電量 Power Consumption [Watt]	噪音水平 Noise Level [dB(A)]	靜壓 Static Pressure [Pa]	淨重 Net Weight [Kg]
712K	Super	730 (25,800)	140	53	232	17.5
	Hi	530 (18,800)	95			
	Lo	430 (15,200)	72			

全新特點 New Features

1 效能卓越 Highly Efficient

- 速乾雙手
- Quick Drying
- 低耗電量
- Low Power Consumption

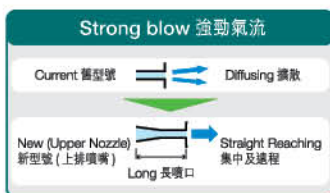
KDK全新噴射式乾手機的兩面四排噴射氣流能以較小耗電量於短時間內迅速吹乾雙手，與之前產品比較，新型號可以每年節省可達31%的耗電量(*)，並提升44%效率。

Double-side and quad-row jet airflow of KDK Jet Type Hand Dryer enables shorter drying time to dry hands. With less power consumption. Compared with previous model, the new model can save up to 31% yearly power consumption(*) with 44% efficiency increased.



兩面四排氣流噴嘴實踐雙重抹擦效果，乾燥性能更特出。

Double-side and quad-row nozzles enable dual wiping effect for excellent drying.



長錐形噴嘴產生強勁氣流形成噴射乾燥效果。

Conical flask shaped nozzles generate strong blow airflow for jet drying effect.



自動感應器的設置於噴嘴上方，配合噴射氣流，實現高能源效益。Auto sensors are perfectly situated over the nozzles to optimize quick drying operation. Together with jet airflow, high energy efficiency is achieved.

(*) Calculation based on usage at 400 times per day and 300 days per year. 以每日400次及每年300日使用量計算。

2 優化設計 Smart Design

- 低噪音
- Low Noise Level
- LED提示燈
- LED Indication Light

獨特V形設計，在運行時產生較低的噪音，使用更舒適。

藍色的LED燈不僅美觀，更可提醒您乾燥時間即將完畢。

V-taper drying chamber allows operation at lower noise level, that ensures more user-friendly. Not only having an attractive look, the blue LED light also reminds you the elapsed time of drying.



乾燥操作若干秒後，藍色LED燈將閃爍，直到完成30秒運行後停止操作。

The blue LED light will blink after drying for certain seconds, until the operation is stopped after 30 seconds.

3 靈活設定 High Flexibility

乾手機一年四季都使用，KDK乾手機可因應不同的環境來選擇使用功能。

Hand dryers would be used all year round. Functional selection of KDK hand dryer are significant for different environment.



設置各種功能的開/關掣，讓你選擇最適合的運作。

On/Off Switch for various functions lets you select your favorite operation



White 白色

Silver 銀色

T10TA

特點 Features

兩面四排噴射氣流實現快速乾手
Double-side and quad-row jet airflow for quick hand-drying

低耗電量
Low power consumption

低噪音
Low noise level

LED提示燈
LED indication light

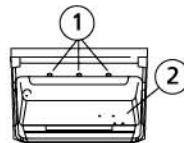
各種功能的開關掣
On-off switch for various function

採用防菌物料(乾手部份)
Anti-bacteria material adopted (drying section)

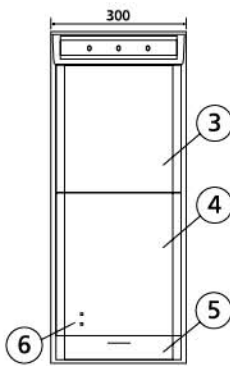
備有超級抗菌過濾網
Super alleru-buster filter equipped

1公升大容量水箱，並備有積水提示
1 litre water tray with full tank indicator

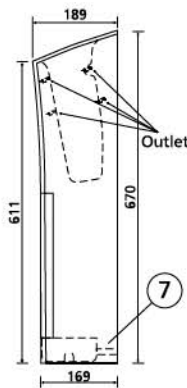
No.	Part 部件
1	Sensor 感應器
2	Drying Box 乾手部份
3	Body 機身
4	Front Case Cover 前蓋
5	Water Tray Unit 水箱
6	Indication Light 指示燈
7	Filter 過濾網
8	Fixation Board 安裝板



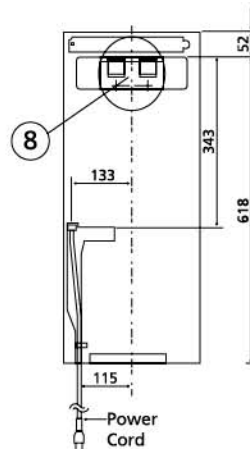
單位 unit : 毫米 mm



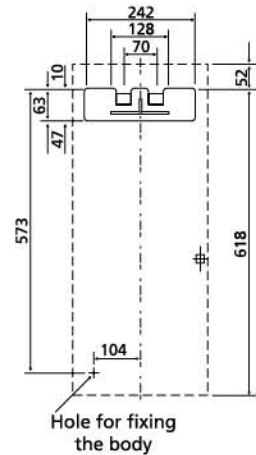
front | 前面



right | 右側



back | 背面



Bracket | 安裝鐵片

型號 Model	電壓 Rated Voltage [V]	頻率 Rated Frequency (Hz)	功率 Gross Rated Power (W)	電流 Rated Current (A)	功率 (高/低) Power (Hi/Lo) (W)		電流 (高/低) Current (Hi/Lo) (A)		淨重 Net Weight [Kg]
					發熱器 (開) Heater (ON)	發熱器 (關) Heater (OFF)	發熱器 (開) Heater (ON)	發熱器 (關) Heater (OFF)	
T10TA	220	50	1,250	6	1,250/940	800/471	6/5	3.5/3	8



1 超級抗敏過濾網 Super Alleru-Buster Filter

- 透過超級抗敏過濾網能確保吹出的氣流清潔乾爽。
- Super Alleru-Buster filter is equipped to ensure the air blow to your hand is clean and healthy.

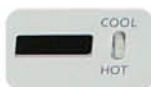


2 防菌物料 Anti-bacteria Material

- 溫暖潮濕的環境是霉菌的潛床，故令細菌容易滋生；因此快、速、乾採用了獨特防菌物料，這正可阻止霉菌生長蔓延。
- A warm and humid environment provides a breeding ground for bacteria, such as in washroom; so the product body is adopted with anti-bacteria material in order to prevent the growth of bacteria and germs.

3 發熱器開關掣 heater ON/OFF Switch

- 在夏天期間，關掉發熱器掣可減少能源消耗。其改良後所吹出的高速涼風仍能把手上的水份在短時間內吹乾。
- In Summer, heater can be switched off for energy saving. The cool airflow with high velocity can dry up your hands in a short time.



4 運作安全 Safety Operation

- 快、速、乾會於連續運作60秒後自動停止
- Power Dry will stop after 60 seconds of continuous operation.
- 當發熱器超出負荷時，安全指示燈亦會即時亮起
- "CHECK" sign will light up when the unit detects overheated.

5 附設水箱 (只限於 T09AB 型號) Drain Pan (only for T09AB Model)

- 獨特水箱設計，能大大減少地面濕滑情況，避免意外發生
- Unique drain pan of Eco-Dry reduces water dripping on floor to avoid slippery.

6 水滿指示 (只限於 T09AB 型號) Full Tank Indicator (only for T09AB model)

- 快、速、乾備有積水提示，可提醒水滿時清理積水
- Remind you for cleaning up the water tank when it is full.

7 快速自動感應 Quick Response Sensor

- 使用者無須接觸任何按鈕，運作簡易方便
- Automatic sensor operation, no physical contact is required to activate the unit.

8 安裝容易 Easy Installation

- 附有掛牆金屬扣，安裝穩當
- Attached metallic bracket for wall hanging purpose.
- 新穎及流線型外觀既合室內設計，且不佔用太多空間
- Stylish and streamline design fits most interior and it does not require much space.



9 可拆式水箱 (只限於 T09AB 型號) Water Tray (only for T09AB model)

- 水份容量可達至600毫升；其推拉式設計易於清理積水
- Absorbing up to 600ml of water, the slide-out design allows easy cleaning of water tray.





特點 Features

強勁風速約120m/s
Powerful air velocity of 120m/s

紅外線自動感應
Infra-red motion sensor

超級抗敏過濾網
Super Allergy-Buster Filter

過熱停止功能
Auto-stop feature for overheat protection

獨特盛水器設計
(只適用於T09AB)

Unique drain pan and water tray
(For T09AB only)

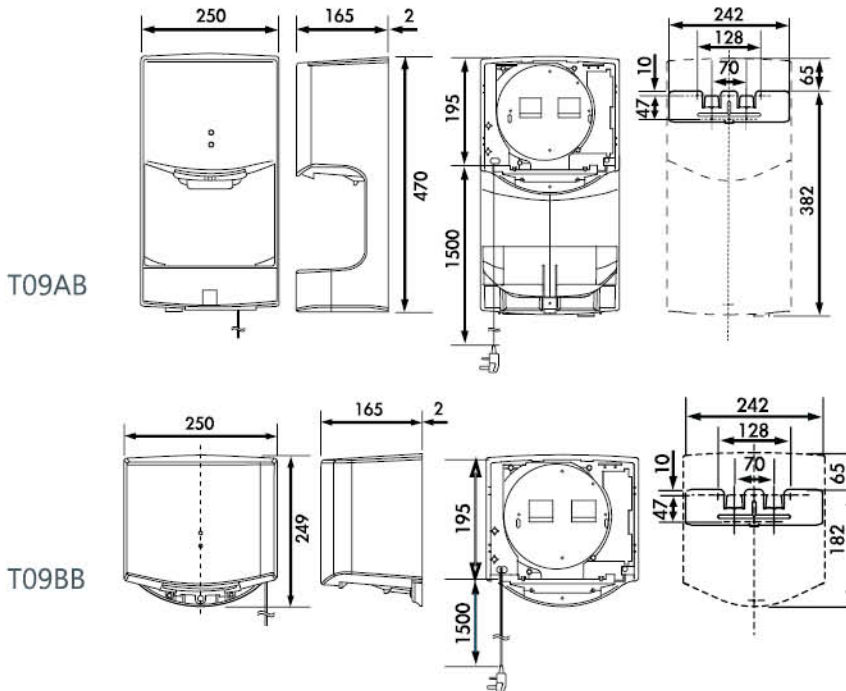
安全指示燈功能
Safety check light function

防菌外殼物料
Anti-bacteria casing material

附設懸掛鐵片
Supply with metal mounting plate

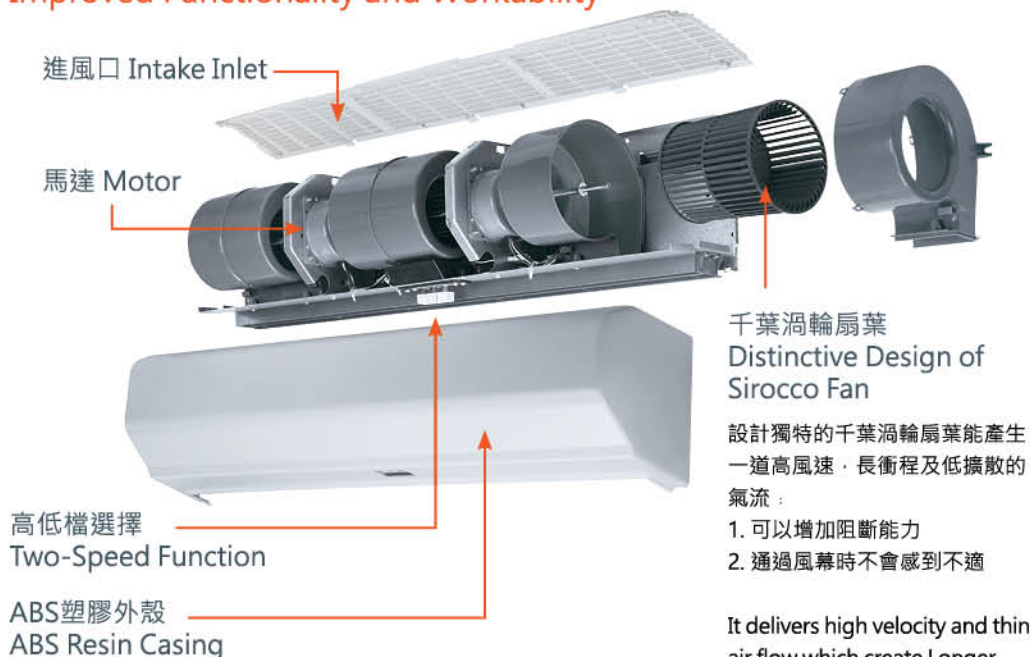
發熱器開關掣
Heater ON/OFF Switch

單位 unit : 毫米 mm



型號 Model No.	風速 Air Velocity [m/s]	水箱 Water tray	耗電量 Power Consumption [Watt]	安裝方法 Installation Type	淨重 Net Weight [Kg]
T09AB	120	Yes	1,000	Wall Mount	4.3
T09BB	120	No	1,020	Wall Mount	3.6

增強功能及作業性 Improved Functionality and Workability



設計獨特的千葉渦輪扇葉能產生一道高風速·長衝程及低擴散的氣流：

1. 可以增加阻斷能力
2. 通過風幕時不會感到不適

It delivers high velocity and thin air flow which create Longer Reach and Narrow Diffusion. Such features can

1. Increase shut-out ability and
2. Avoid uncomfortable feelings when you pass through

外殼使用ABS材料製造·外形新穎·其簡單的設計適合安裝於不同環境·

ABS is a material which are highly resistance to rust and with high bending flexibility which make the outlook more streamline. It provides a simple design that suits for all interiors.

風閘的優點 Advantages of Air Curtain

41

高風速 High Air Velocity

送風機從室內抽取空氣形成一道高壓氣流。在安裝風幕機時·頂部的進風處必須與天花板保持至少50mm距離·才可以到達所要求的性能。

The high pressure produced by the sirocco fan delivers a powerful jet of air from the air outlet. Optimum performance is attained when the air inlet on the top surface is kept at least 50mm from the ceiling.



低耗電量 Low Energy Consumption

使用高效能馬達·平均可降低耗電量達35% (與舊型號比較)· Highly efficient motors are adopted to ensure low power consumption by reducing up to 35% (compared with previous in average model).

低噪音 Low Noise

新改進的雙吸離心扇及低噪音外殼能有效地降低噪音平均達10【dB(A)】(與舊型號比較)·

The newly developed double suction sirocco fans and low noise resin casing reduce noise level by an average of 10【dB(A)】(compared with previous model)





10ESK



10ELK

特點 Features

適合安裝於10尺高樓底
Applicable for 10ft ceiling height

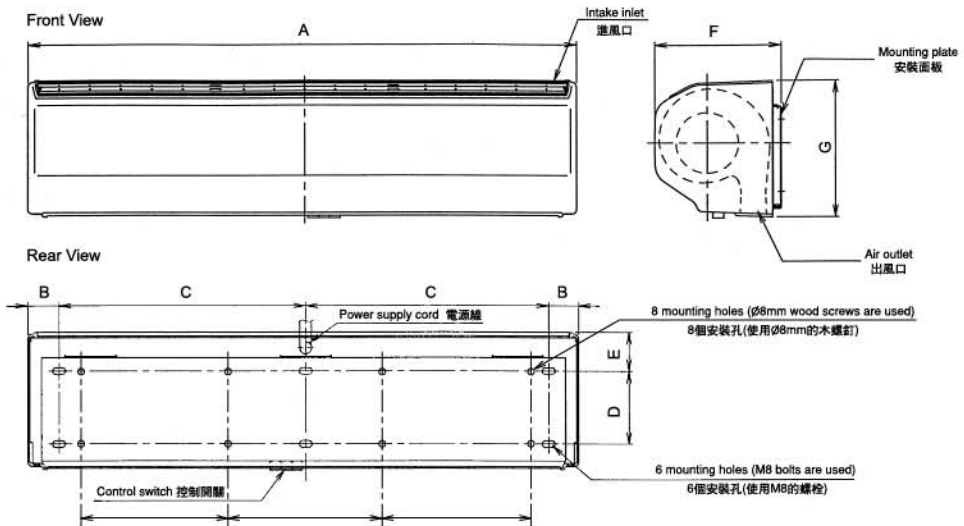
牆上簡便安裝
Simplified wall-hang installation

附設導風板可以容易地調整送風的方向
Air deflection vents easily adjust air flow direction

開關設於機體上，可提供高、低兩種風速

2-speed changeover (Hi, Lo and off) is available with a push-button switch provided in the unit

單位 unit: 毫米 mm



Model No.		A	B	C	D	E	F	G
10ESK	mm	900	50	400	120	63	205	226
10ELK	mm	1,200	200	400	120	63	205	226

型號 Model	速度 Speed	風速 Air Velocity [m/s]	風量 Air Volume 【CMH】/ 【CFH】	噪音水平 Noise Level 【dB(A)】	耗電量 Power Consumption 【Watt】	淨重 Net Weight 【Kg】
10ESK	高 High	13.0	750 (26,550)	46	72	12
	低 Low	11.1	630 (22,302)	42	62	
10ELK	高 High	13.1	1,000 (35,400)	46	96	14
	低 Low	11.0	830 (29,832)	41	74	

電動百葉抽氣功能

Electric Shutter Can Work Under Stormy Weather

一般換氣扇背板，在強風下可能無法正常開啟，因而影響抽氣扇的運作。KDK 最新 WJA、WHC 及 DLC 型號系列，配備有電動百葉背板，由電動馬達帶動的背板，在強風下也能如常開啟，使換氣扇能正常運作。當換氣扇關閉時，電動背板亦會同時關閉，確保用戶無須再受到百葉不能關閉引致室外污染空氣、水滴及灰塵進入室內，導致環境污染及百葉所帶來的噪音影響。

Ordinary ventilation fan does not work during windy

weather since the shutter cannot be opened. KDK's newest ventilation fan series (WJA, WHC and DLC) equipped with an electric shutter which is operated by a powerful motor that can keep shutter open even in stormy weather. Fan shutter will be hold firmly once the unit is turned off, which blocks outside polluted air, rain and dust and avoiding noise problem from outside wind.

近期換氣扇工程事例 (1997-2014)

Recent Ventilating Fan Significant Projects (1997-2014)

- 將軍澳日出康城
Lohas Park
- 奧運海桃灣
Florient Rise
- 九龍衛理徑衛理苑
Wylie Court
- 大圍名城
Festival City
- 澳門青洲社會房屋綜合體
Complexo de Habitacao Social na Ilha Verde
- 大圍名城 (2期)
Festival City (2nd Phase)
- 東涌藍天海岸
Tung Chung Coastal Skyline
- 尖沙咀擎天半島
Tsim Sha Tsui Sorrento
- 中環帝后華庭
Central Queen's Terrace
- 屯門景峰豪庭
Tuen Mun Noble Place
- 澳門名門世家
Macau Windsor Arch
- 將軍澳茵怡花園
Tseung Kwan O Verbena Heights
- 土瓜灣嘉朗豪庭
Tokwawan Carlton Court
- 堅尼地城萬克頓台
Kennedy Town Manhattan City
- 將軍澳君傲灣
Tseung Kwan O The Grandiose
- 青衣綠悠雅苑
Tsing Yi Greenview Villa
- 將軍澳都會駅
Tseung Kwan O Metro Town
- 薄扶林貝沙灣
Residence Bel-Air
- 澳門君悅灣
The Residencia Macau
- 元朗翹翠峰
Emerald Green
- 大埔道翠峰28
Emerald Twenty Eight
- 將軍澳疊翠軒
The Pinnacle
- 將軍澳怡心園
Tseung kwan O Serenity Place
- 荔枝角昇悅居
Lai Chi Kwok Liberté
- 土瓜灣傲雲峰
To Kwa Wan Sky Tower
- 太古逸華園
Taikoo Valley
- 東涌映灣園
Tung Chung Caribbean Coast
- 東涌東堤灣畔
Tung Chung Crescent
- 九龍塘畢架山一號
Kowloon Tong Beacon Hill One
- 長沙灣泓景壹
Cheung Sha Wan Banyang Garden
- 深井碧堤半島一期
Sham Tseng Bellagio Phase I
- 紅磡半島豪庭
Hunghom Royal Peninsula
- 尖沙咀港景峰
Tsim Sha Tsui Victoria Tower

- 符合IPX4表示水從任何方向濺向產品時，對其安全性並無不良的影響。
- 安裝方法請參照操作說明書。
- IPX4 stands for ingress protection that water splashing against the product from any direction shall have no harmful effects to its safety.
- Installation method please refer to the operation instruction.



總代理 Sole Agent :

信興電工工程有限公司

SHUN HING ELECTRIC WORKS AND ENGINEERING CO., LTD.

辦公室 Office :

香港九龍尖沙咀東部加連威老道98號

東海商業中心6樓601室

Room 601, East Ocean Centre, 6/F., 98 Granville Road,

Tsimshatsui East, Kowloon, Hong Kong.

電話 Tel : (852) 2861 2767

傳真 Fax : (852) 2865 6705

網址 Website : www.shew.com.hk

電郵 E-mail : shew@shunhinggroup.com

保養及維修 Maintenance and Repair Service :

信興電器服務中心有限公司

SHUN HING ELECTRIC SERVICE CENTRE LTD.

香港新界葵涌葵興街8號信興中心19樓

19th Floor, Shun Hing Centre,

8 Shing Yiu Street, Kwai Chung, N.T., H.K.

電話 Tel : (852) 2406 5666

傳真 Fax : (852) 2408 0316

- 產品規格如有變更，恕不另行通知。
- Specifications are subject to change without prior notice
- 由於印刷條件，實際顏色與本目錄會稍有差異。
- Due to printing conditions the actual colour may vary slightly from those shown

KDK Company, Division of PES

Head Office : 4017, Takaki-cho, Kasugai, Aichi, Japan

<http://kdk.jp>

CAT-KAM1404

Printed in Hong Kong 04.14